

Modular cabling system OSIRISONE standard - carrier technology

GEIGER
A brand of **legrand**

OSIRISONE Standard Module Rack 19"/3U, 84HP

for mounting up to 12 OSIRISONE module housings

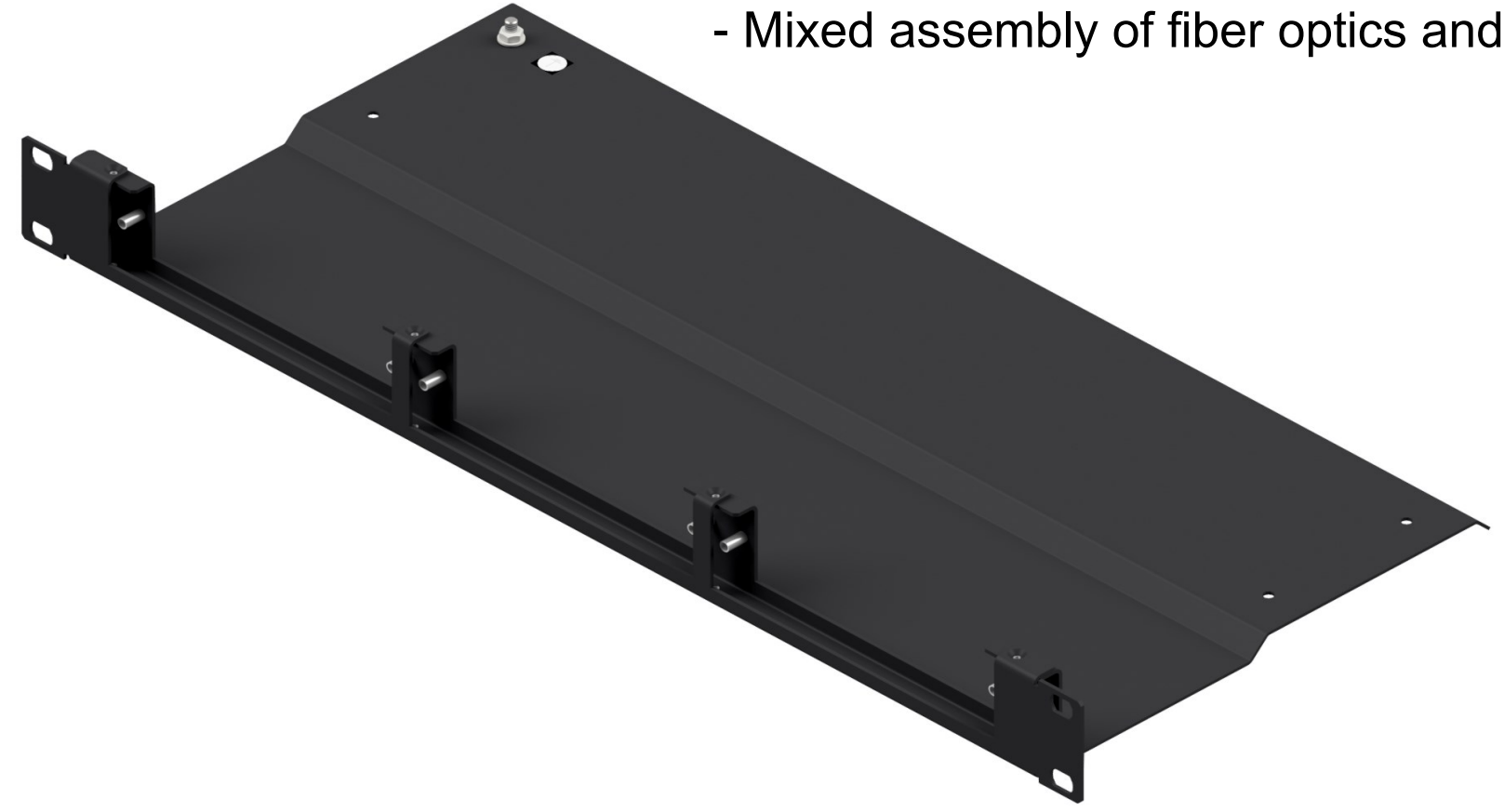
- Free choice of assembly
- Mixed assembly of fiber optics and CU possible



OSIRISONE Standard Module Rack 19"/1U

for mounting up to 3 OSIRISONE module housings

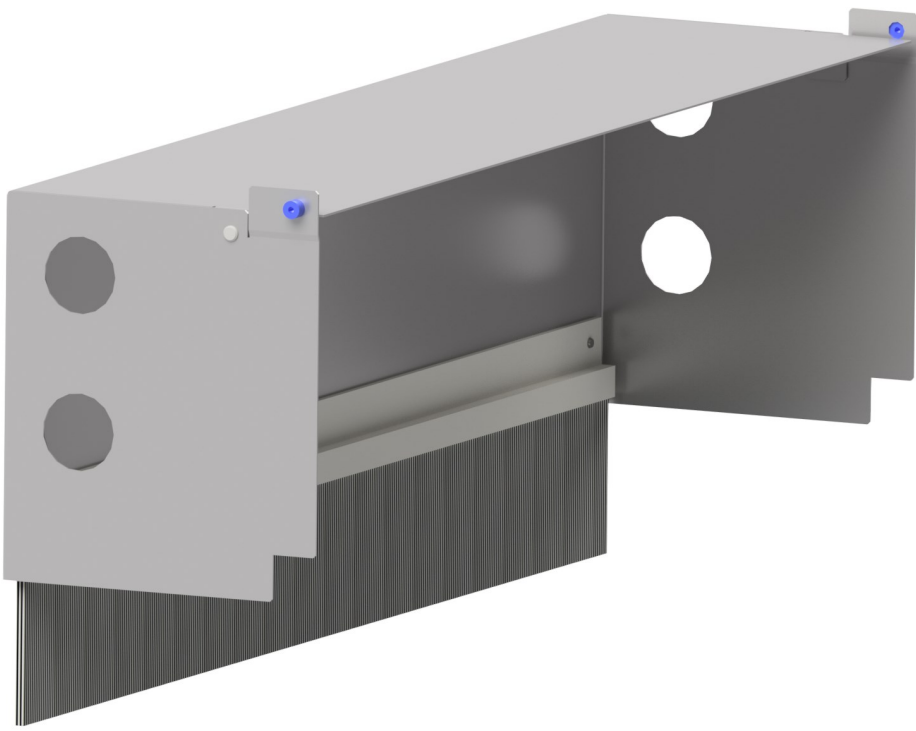
- free choice of assembly
- Mixed assembly of fiber optics and CU possible



OSIRISONE standard cover for module rack 19"/3U with excess length drawer

for adaptation to module rack 19"/3U, 84HP with excess length drawer

- protection of cable grommets
- Protection against dust
- Easy to remove



OSIRISONE Standard Overlength Drawer 19"/1U with Blind Panel

for adaptation to module racks 19"/1U and 3U

- depositing of reserves
- Interception and strain relief of LWL cables



OSIRISONE Standard Overlength Drawer 19"/1U with Cable Tray

for adaptation to module racks 19"/1U and 3U

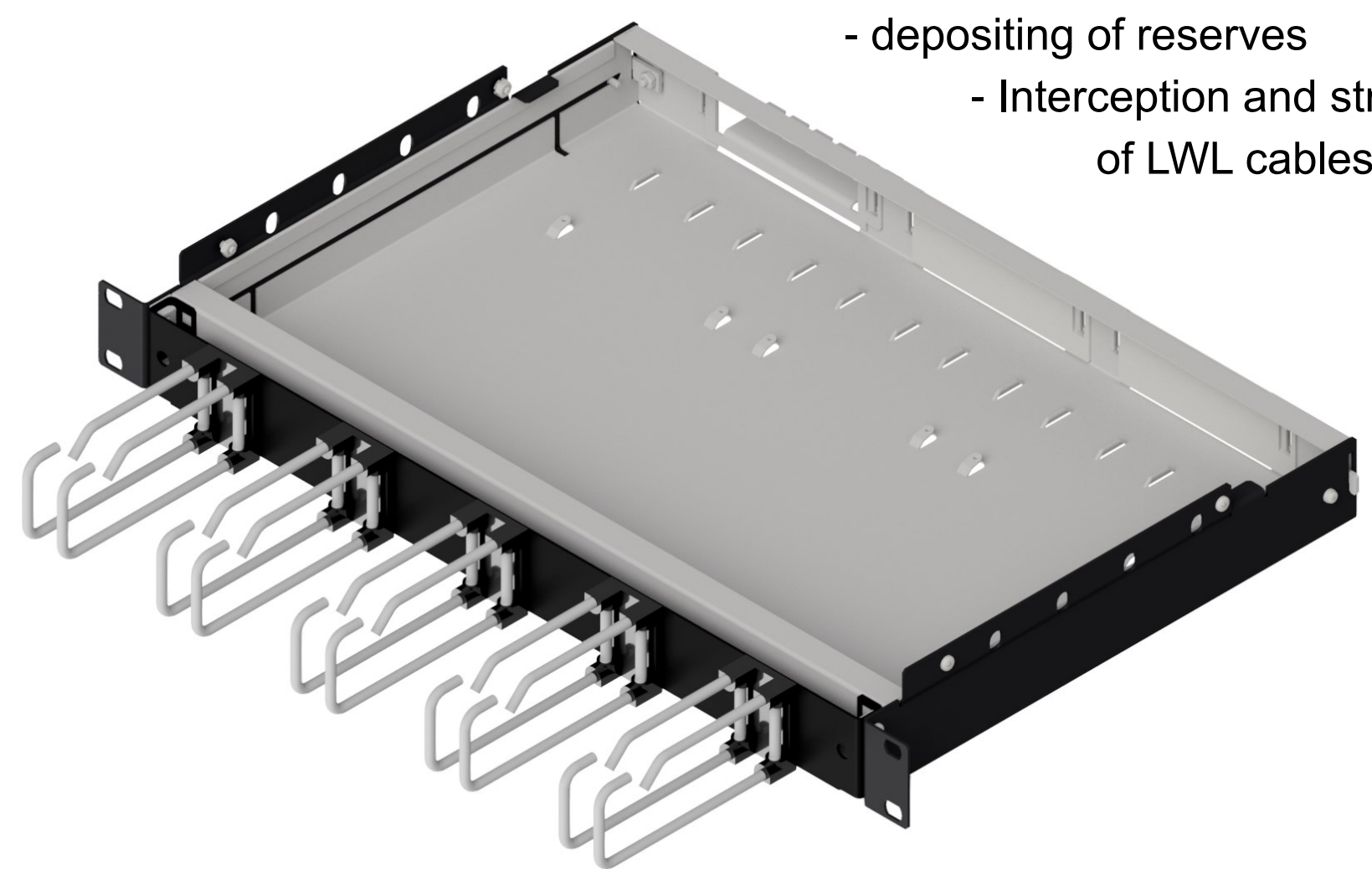
- storage of reserves
- Interception and strain relief of LWL cables



OSIRISONE Standard Overlength Drawer 19"/1U with Cable Bracket

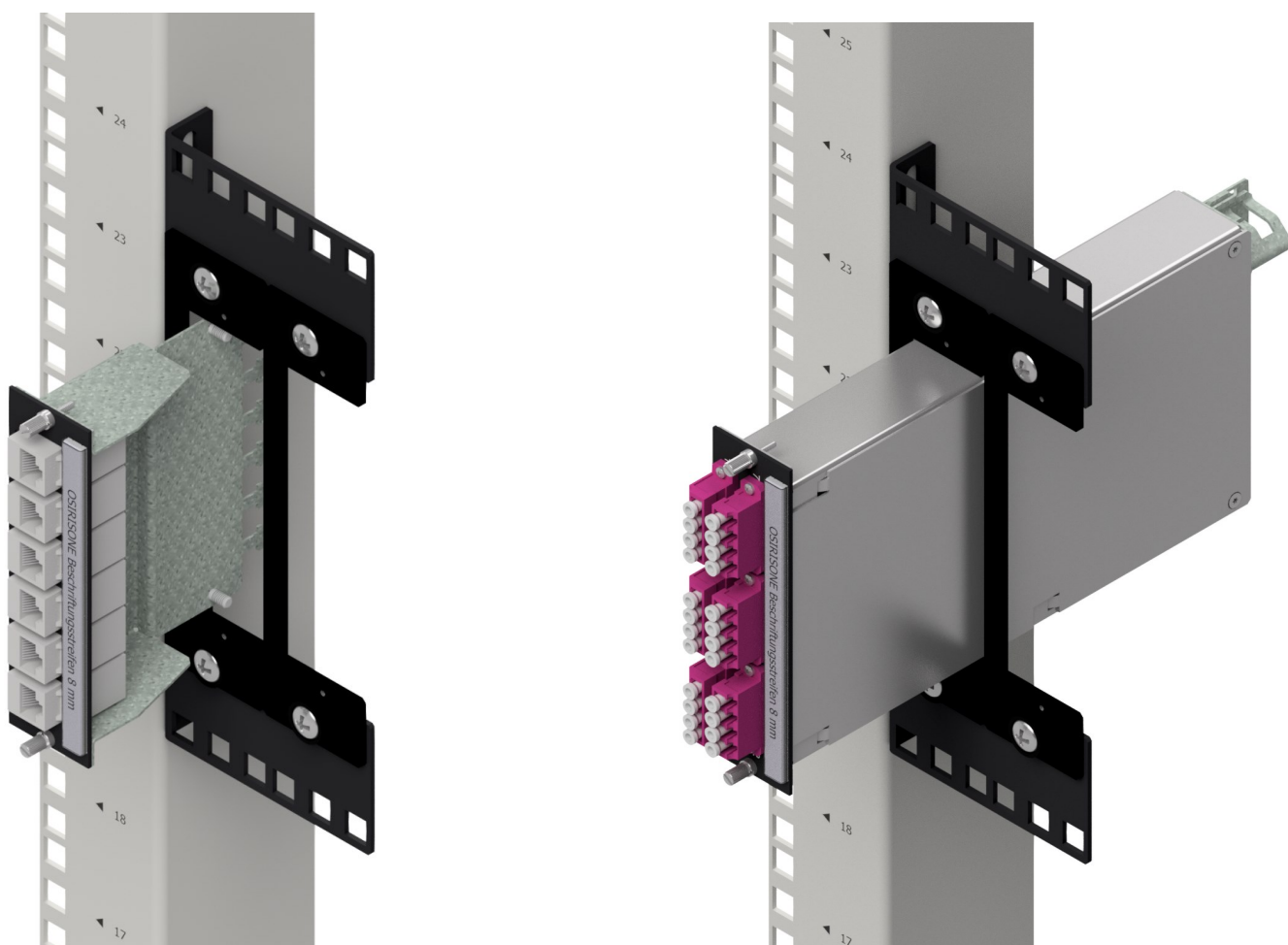
for adaptation to module racks 19"/1U and 3U

- depositing of reserves
- Interception and strain relief of LWL cables



OSIRISONE Standard Adapter Bracket Set and OSIRISONE Standard Mounting Plate Set

for side rack mounting



OSIRISONE Standard Consolidation-Point

Two placement options:

1. to accommodate up to 2 OSIRISONE module housings 3HE/7TE
 - Mixed assembly of fiber optics and CU possible
2. to accommodate up to 2 OSIRISONE partial front panels
 - Strain relief possibility for the patch cables
 - 100% fiber optic splice or distribution enclosure

Features:

- Lockable
- Dust protected
- Equipment freely selectable



All housings are assembled in the factory at the production site in Irschenberg/Upper Bavaria, ready for assembly according to customer specifications, and quality assured.

AVAILABILITY AHEAD